


# High Frequency Online UPS (Single Phase Input Single Phase Output)

## EH5000 Series (6KVA-10KVA)





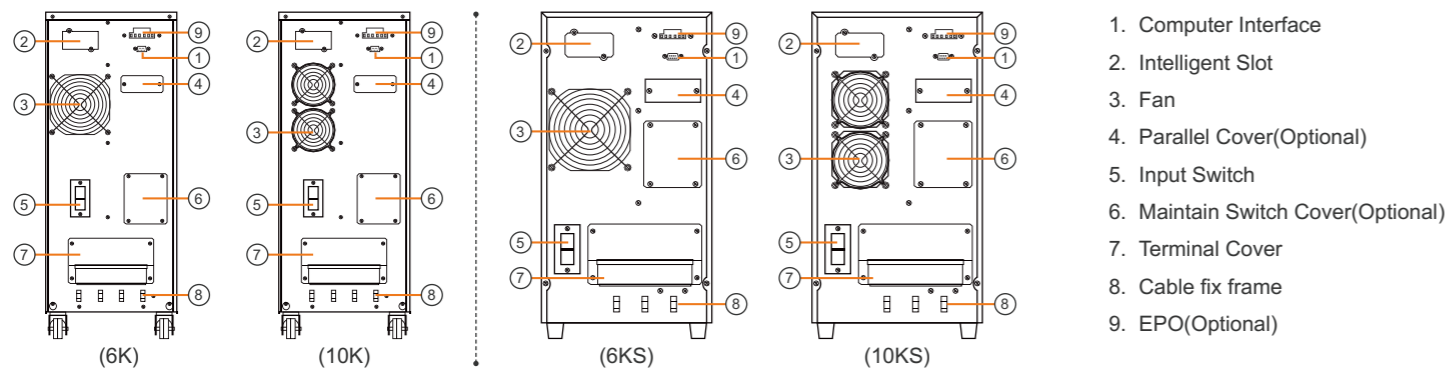
### Features

- Rated power 6KVA to 10KVA
- Pure sine wave output
- Double conversion online design, zero output transfer time
- IGBT technology
- N+X parallel redundancy
- LCD+LED Display
- Cold start function
- Support RS232 monitoring function with free CD

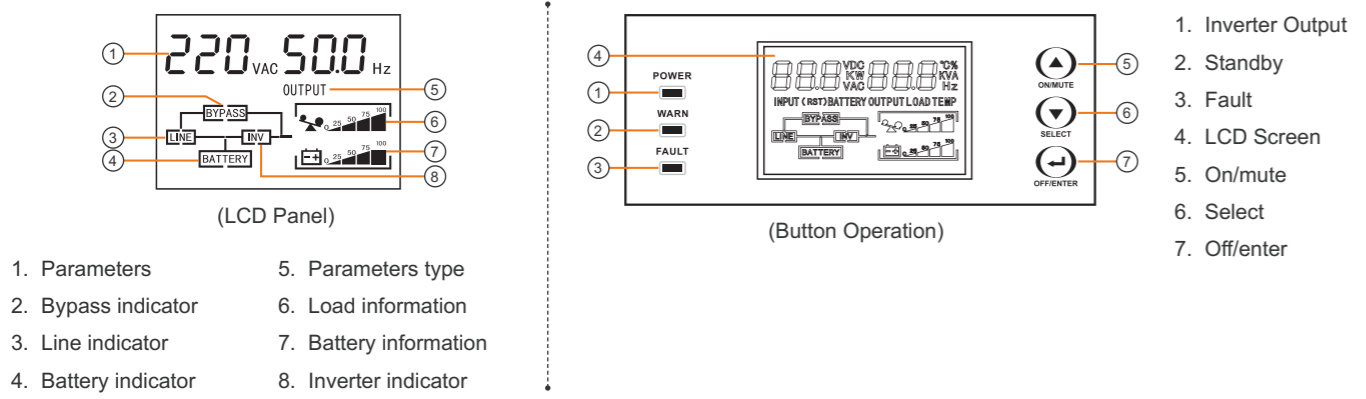
### Introduction

The EH5000 series is high-frequency online UPS. Adopts advanced DSP digital control technology to effectively improve product performance and system reliability. small size, light weight and high work efficiency. Effectively solve power problems such as power cut-off, utility high voltage, utility low voltage, voltage instantaneous drop, amplitude reduction, high voltage pulse, surge voltage, harmonic distortion, clutter interference, frequency fluctuation, Provide best power environment for load.

### Back panel printing description



### LCD Display Information



### Specification

Type	H6K	H6KS	H10K	H10KS	
Capacity	6KVA \ 4.8KW		10KVA \ 8KW		
Input	Input wire	Single phase two wire + ground wire			
	Voltage range	AC 120V-275V			
	Frequency Range	50/60HZ Auto sensing			
	Distortion	<5%			
	Power factor	≥0.99			
	Generator input	support			
Output	Voltage range	AC 220× (1+1%) V			
	Frequency (same Frequency mode)	46-54Hz \ 56-64Hz Synchronized with the input (utility frequency)			
	Frequency (battery mode)	50(1+1%) \ 60(1+1%)Hz			
	Power factor	0.8			
	Crest ratio	3:1			
	Harmonic distortion	≤ 3%THD( Linear load) ≤ 6%THD( Nonlinear load)			
	Output waveform	Pure sine wave			
	Output method	Terminal block			
	Overload capability	Utility: 105%-125%,1min;125%-135%,30S;>135%,0.5S Battery: ≥ 105% for 30 S			
Efficiency	Charging mode	90%			
	Battery mode	90%			
	Utility priority mode	97%			
Battery	Type of battery	12V\7AH		12V\7AH	
	Number of batteries	16		16	
	Equipment time (full load)	>5min		>5min	
	Charging time (90%)	8Hours		8Hours	
	Rechargeable battery (maximum)	1.0A	5.0A	1.0A	5.0A
	Rated charging voltage	218.4VDC			
	Temperature text	support			
Transfer time	Utility to battery	0ms			
	Inverter to bypass	4ms			
Other characteristics	Mains priority mode	support			
	Normal mode (constant voltage constant frequency)	support			
	Parallel redundancy	3 sets (maximum)			
Indicator ligh	LED display	Load Status / Battery Capacity / Battery Mode / Bypass Mode / Fault			
	LCD display	Load / Battery / Input / Output / Operating Mode			
Beep sound	Battery mode	beep every 4 seconds			
	Low electricity	beep every second			
	overload	beep 2 every second			
	malfunction	continuous beep			
Shape	Dimension(D*W*H) mm	248x500x616	240x500x460	248x500x616	240x500x460
	Net weight (Kg)	57	18	67.5	20
Use environment	Operating environment	0~40°C			
	Humidity	20~90%( Non-condensing)			
	Noise level	<55dB@1Meter			
Interface	Micro RS-232	Support Windows 2000/2003/XP/Vista/2008/7/Linux/Unix &MAC			
	USB (optional)	Windows Family & MAC			
	Slot (optional)	SNMP \ AS400 Relay Card \ Rs485			
	EPO (optional)	Support emergency shutdown			