

# High Frequency Online UPS (Single Phase Input Single Phase Output)

## EH5110 Series (1KVA-10KVA)



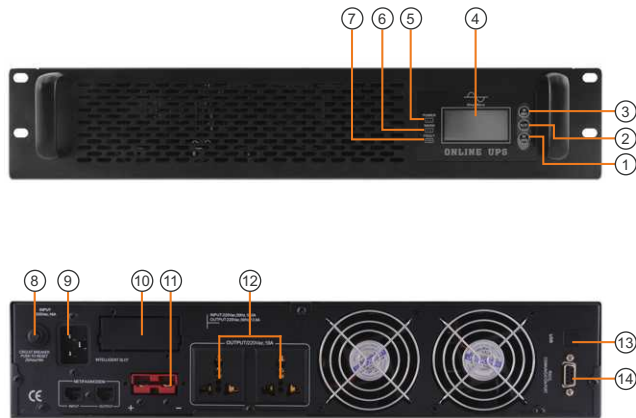
### Features

- Adopt DSP digital control, excellent performance indicators, more steady and reliable.
- Adopt active power factor correction technology (PFC).
- Ultra-wide input voltage range, input voltages available 115V instead of turn to battery power.
- With LCD+LED real-time display, UPS operating available for Detection.
- With self- detection function, can detect hidden faults of UPS.
- Cold start by battery without grid Input.
- Input frequency range 40~70Hz, support various fuel generators.
- Output power factor 0.9, stronger load capacity, efficiency reach 90%, reduce loss of UPS.

### Introduction

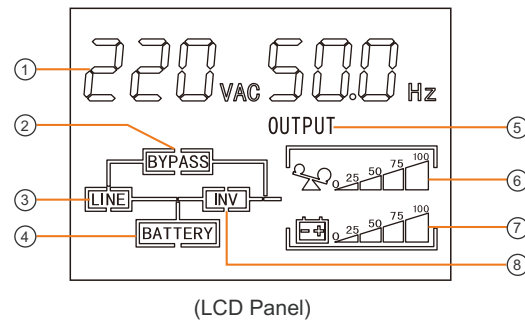
The EH5110 series is a new type high-frequency online UPS. Adopts advanced DSP digital control technology to effectively improve product performance and system reliability, and higher power density small size, light weight and high work efficiency. Effectively solve power problems such as power cut-off, Grid over voltage/low voltage, voltage instantaneous drop, amplitude reduction, high voltage pulse, surge voltage, harmonic distortion, clutter interference, frequency fluctuation and provide best power for load.

### Back panel printing description



- |                                  |                              |
|----------------------------------|------------------------------|
| 1. Turn on / Enter               | 9. Input                     |
| 2. Select Button                 | 10. Intelligent Slot         |
| 3. Turn on / Mute                | 11. EXT. Battery             |
| 4. LCD                           | 12. Output                   |
| 5. Inverter output               | 13. USB                      |
| 6. Standby indicator             | 14. RS232 Communication Port |
| 7. Fault indicator               |                              |
| 8. Circuit Breaker Push To Reset |                              |

### LCD Display Information



1. Parameters
2. Bypass indicator
3. Line indicator
4. Battery indicator
5. Parameters type
6. Load information
7. Battery information
8. Inverter indicator

## Specification

MODEL	H1KR	H1KRS	H2KR	H2KRS	H3KR	H3KRS	H6KR	H6KRS	H10KR	H10KRS	
Capacity	VA/W		1KVA \ 0.9KW	2KVA \ 1.8KW	3KVA \ 2.7KW	6KVA \ 4.8KW	10KVA \ 8KW				
Input	Voltage		(110~300)VAC				(176~276)VAC				
	Frequency		(40~70)Hz				(46~54 \ 56~64)Hz				
	Power factor		>0.99								
Battery	External battery Standard Voltage		-	36VDC	72VDC	96VDC	192VDC				
	Battery Type		Maintenance-free lead-acid battery								
	Battery Number		3pcs	-							
Output	Voltage Frequency		220(1±1% )VAC Synchronize with Input (Utility Mode)								
			50(1±0.2%) Hz ( Battery Mode )								
	Overload Capacity		100%-110%:Only warning sound;				105%-125%: Automatically turns off after 1 minute, or switches to bypass mode when the input is normal;				
			110%-130%:Automatically turns off after 1 minute, or switches to bypass mode when the input is normal;				125%-135%: 30 seconds or switch to bypass mode when the input is normal;				
			>130%:Turn off immediately, or switch to bypass mode when the input is normal.				>135%: Turn off after 0.5 seconds or switch to bypass mode when the input is normal				
Output waveform		Pure Sine Wave									
Socket		Universal Socket				Terminal Block					
Others	Transfer Time		0ms								
	Display		LCD Display				LED/LCD Display (Optional)				
	Automatic restart		After the battery turns off, the UPS can be automatically restarted when the utility power returns to normal.								
Warning Alarm	Battery discharge		One beep every 4 seconds when the input voltage is off; one beep per second when the battery is exhausted								
	UPS Error		Keep Beeping								
Connection	RS-232		Intelligent monitoring functions such as Utility abnormal, power outage, battery capacity, and UPS status indication.								
	Option		SNMP card, AS400 card, USB connection								
Surroundings	Temperature		0°C ~40°C								
	Humidity		20%~90%								
	Audible Noise		<55dB								
Shape parameter	Host size (W*D*H)mm		482.6*450*88				482.6*600*130				
	Battery size (W*D*H)mm		482.6*450*88				482.6*600*130				
	Host Weight (Net Weight ) kg		16.3	9.1	10.3	11.5	11.2	12.3	18.3	18.5	19.2